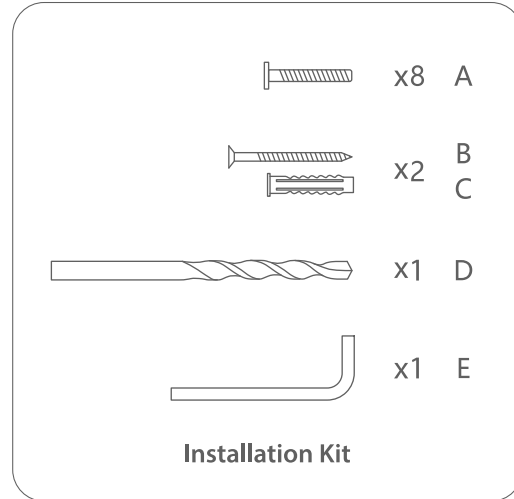
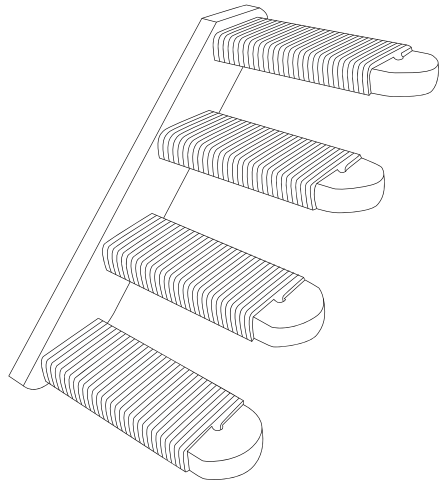
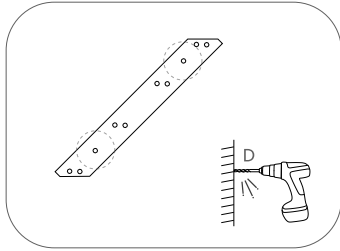


# FUKUMĀRU



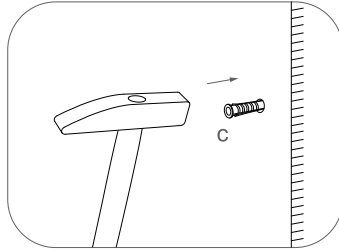
## How to install



### STEP 1

Mark the nail positions on the wall, drill holes-

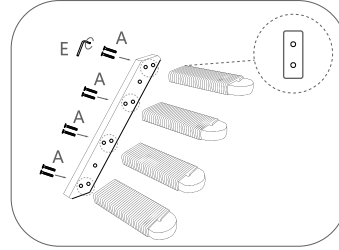
Markieren Sie die Nagelpositionen an der Wand, bohren Sie Löcher.



### STEP 2

Install the expansion screw tube.

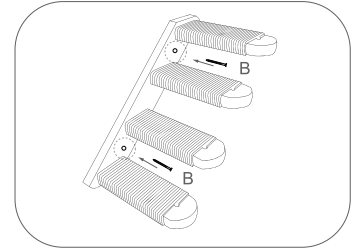
Installieren Sie das Expansionschraubenrohr.



### STEP 3

Fix the scratching post tightly.

Befestigen Sie die Schritte zusammen.



### STEP 4

Install the ladder on the wall.

Befestigen Sie die Leiter an der Wand.

## About FUKUMARU

FUKUMARU focuses on providing users with natural, safe and practical pet supplies.

They dine and nap alone during the day, wagging their tails, waiting for us at the door when the evening comes;

They accompany us devotedly by our side, and love us unconditionally all their lives.

For the well-being of cats and dogs, FUKUMARU is designed to go a little further for their benefits.

## After-sales service

If you have any problem, please contact [FUKUMARU@hzdare.com](mailto:FUKUMARU@hzdare.com), we will reply in 48h.